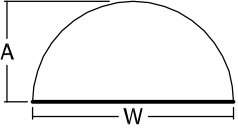
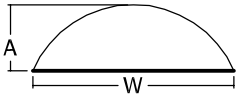
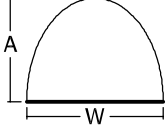
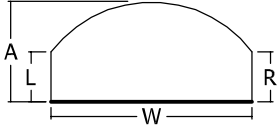
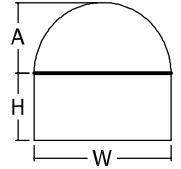
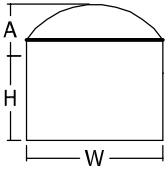
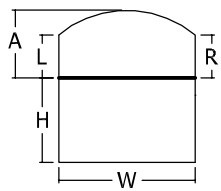
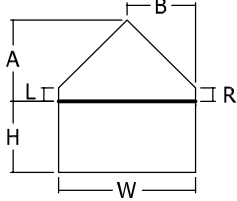
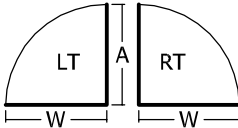
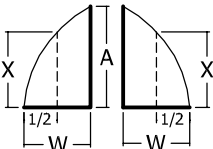
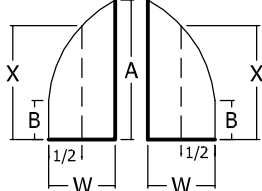
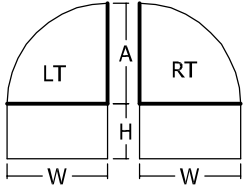
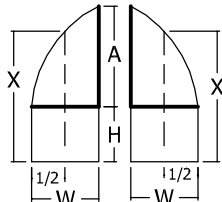
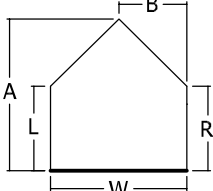
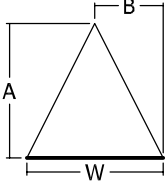
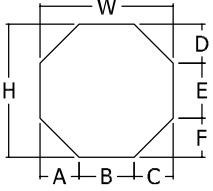
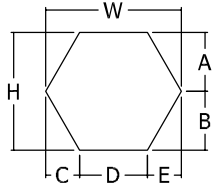
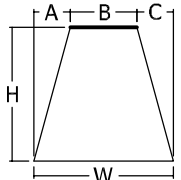
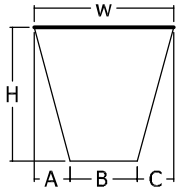
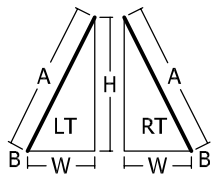
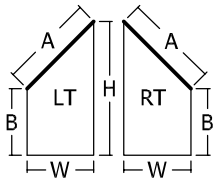
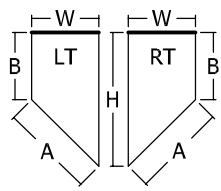
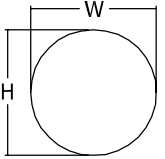
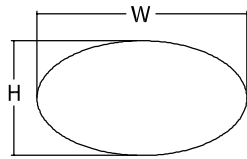


CELLULAR

<p>*</p>  <p>PERFECT ARCH</p>	 <p>EYEBROW $A \leq 1/2 W$</p>	 <p>PALLADIAN $A > 1/2 W$</p>	 <p>ELONGATED ARCH</p>
<p>*</p>  <p>PERFECT ARCH OVER STANDARD</p>	 <p>NON PERFECT ARCH OVER STANDARD</p>	 <p>ELONGATED ARCH OVER STANDARD</p>	 <p>TRIANGLE ARCH OVER STANDARD</p>
<p>*</p>  <p>PERFECT 1/4 ARCH</p>	<p>LT RT</p>  <p>NON-PERFECT 1/4 ARCH</p>	<p>LT RT</p>  <p>ELONGATED 1/4 ARCH</p>	<p>*</p>  <p>PERFECT 1/4 ARCH OVER STD.</p>
<p>LT RT</p>  <p>NON PERFECT 1/4 ARCH OVER STD.</p>	 <p>ELONGATED TRIANGLE</p>	 <p>TRIANGLE</p>	 <p>OCTAGON IF ALL SIDES ARE = THAN ONLY E IS REQUIRED</p>
 <p>HEXAGON</p>	<p>*</p>  <p>TRAPEZOID</p>	<p>*</p>  <p>INVERTED TRAPEZOID</p>	<p>*</p>  <p>B=ZERO ANGLE TOP</p>
<p>*</p>  <p>ANGLE TOP</p>	<p>*</p>  <p>ANGLE BOTTOM</p>	<p>*</p>  <p>PERFECT CIRCLE</p>	 <p>NON PERFECT CIRCLE</p>

NOTE: BOLD LINE INDICATES A HEAD RAIL LOCATION

NOTE: TO DETERMINE "X" MEASUREMENT ON 1/4 ARCHES, DIVIDE "W" IN HALF MEASURE FROM THIS POINT STRAIGHT UP (PLUMB) AS SHOWN IN DIAGRAM.

NOTE: * NO TEMPLATE REQUIRED

NOTE: TRIANGLES B = STRAIGHT WIDTH TO VERIFY POINT IS AT CENTER