

# Installation Instructions for CUSTOM ROMAN SHADE with CORD CONTROL

## Mounting hardware kit includes the following:

Part	Quantity
a. Mounting Brackets	2 (shades up to 36" wide) 3 (shades 36" to 48" wide) 4 (shades 48" to 96" wide) 5 (shades 96" to 120" wide)
b. 1-1/4" Screws	2 (shades up to 36" wide) 3 (shades 36" to 48" wide) 4 (shades 48" to 96" wide) 5 (shades 96" to 120" wide)
c. 3/4" Screws	2 (shades up to 36" wide) 3 (shades 36" to 48" wide) 4 (shades 48" to 96" wide) 5 (shades 96" to 120" wide)

*Note: brackets are for Outside Mount installations only!*

*Note: 3/4" screws are for Outside Mount installations only!*

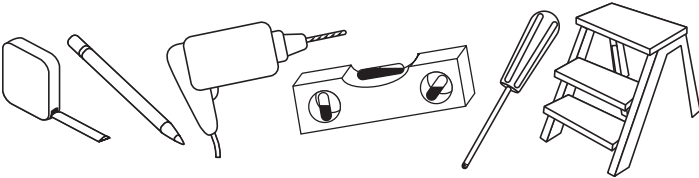
## Installation:

Wallboard or Plaster: use anchors specifically designed for hollow walls (not included).

Concrete, Stone, Brick: use a masonry drill bit and anchors or screws specifically designed for masonry (not included).

## Tools Required:

Pencil, tape measure, level, screw driver, step stool, drill.



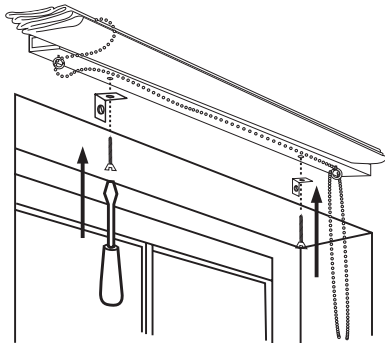
## For Outside Mounting

One bracket should be positioned about 2" to 6" from each end of the head rail. For wider shades that require 3 or more brackets, these should be spaced evenly between the two outermost brackets. Hold the shade in place and mark the desired bracket locations with a pencil.

The brackets must be level – use a Spirit Level if necessary to assure proper alignment.

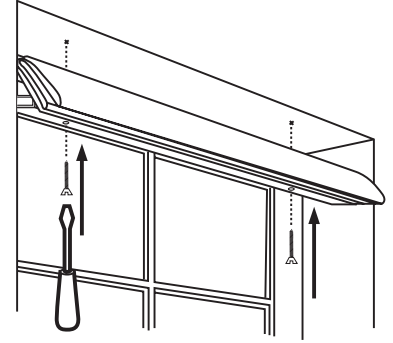
The brackets will be attached to the top of the head rail, so attach the brackets to the wall or window frame first. Pre-drill the mounting holes using a 5/64" drill bit, and then screw the brackets in place.

Place the head rail against the brackets as illustrated – center the shade over the window opening – then mark the location of each mounting hole on the head rail. Pierce the fabric at the hole locations using the tip of a screw, then pre-drill the mounting holes using a 5/64" drill bit. Attach the shade to the brackets using the 3/4" screws provided.



## For Inside Mounting:

Mounting holes are pre-drilled in the Head Rail. Screw the 1/4" screws into the head rail until the tips of the screws extend very slightly beyond the top of the head rail. Align the front of the shade with the front edge of the window opening (or position as desired), making sure that the shade is centered in the window opening – then push up on the screws so that the screw heads leave tiny impressions in the top of the window frame. Now, use the impressions as a guide and pre-drill the mounting holes using a 5/64" drill bit – then screw the shade in place.



## Install the Chain Tension Device

The tension device must be installed to make sure the shade is fully operable. Before doing anything, you must first slide the tension device to the bottom of the bead chain.

While holding the tension device in one hand, pull the plunger away from the bead chain with the other hand. Lift the bead chain out of the bead locking groove and slide the tension device to the bottom of the chain loop.

Pull the tension device down until the bead chain is fully tensioned (plunger will be at the top) and then move the tension device up approximately 1/8". Mark the screw hole locations on the wall with a pencil.

Inside Mount: if mounting into wood, pre-drill screw holes and then install the tension device using the 1/4" Phillips head screws provided.

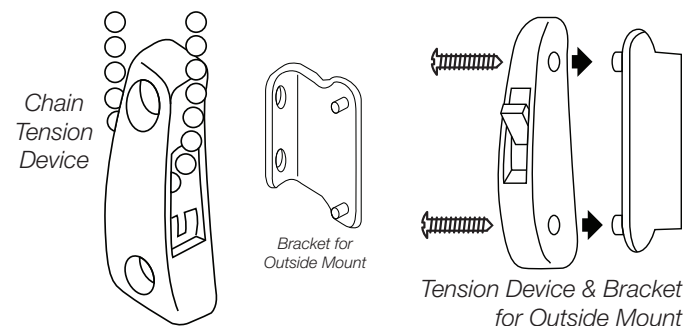
If not securing into wood, use appropriate anchors for the substrate and follow anchor manufacturer's instructions.

Outside Mount: Align the mounting bracket screw holes with the pencil marks.

If mounting into wood, pre-drill screw holes and then install the mounting bracket using the 1/4" Phillips head screws provided.

If not securing into wood, use appropriate anchors for the substrate and follow manufacturer's instructions.

Press the tension device onto the mounting bracket posts. Carefully attach the Tension Device to the bracket using the 3/8" Phillips head screws provided. **DO NOT OVER-TIGHTEN.**



## How to Operate Cord Control Shades

Pulling gently on the cord in one direction raises the shade; pulling it in the other direction lowers it. On shades where the fabric rolls against the window, the front cord lifts the shade. On shades where the fabric rolls toward the room, the rear cord lifts the shade.

---

### Care Instructions

The packaging and shipping of soft treatments frequently results in minor wrinkling of the fabrics used.

There are different characteristics and handling needs for the variety of fabrics offered in this program.

Please refer to the descriptions below for guidance on how to remedy minor wrinkles upon delivery.

First, allow all items to hang for a few days so wrinkles relax and begin to fall out.

#### *Silk fabrics:*

- Natural irregularities give the fabric its unique and desired character. The appearance of slubs, nubs, loops and barre ridges are universally accepted as normal and should not be considered defects.
- If necessary, steam silk to remove stubborn wrinkles. Please note that a good quality steamer is needed so water spots won't form from water spitting out from the steaming device.

#### *Rayon/Poly blends:*

- If necessary, steam rayon/poly to remove stubborn wrinkles. Please note that a good quality steamer is needed so water spots won't form from water spitting out from the steaming device.

#### *100% Polyester:*

- If necessary, steam polyester or gently iron on a low heat setting to remove stubborn wrinkles. 100% Polyester fabrics release wrinkles easily. Steam or iron on the Polyester / Synthetic Fabrics setting (Low), but be aware that Polyester will melt if the iron is too hot.

#### *Cotton/Poly blends:*

- If necessary, gently iron on a Blended Fabric (Medium) setting to remove stubborn wrinkles.

#### *100% Cotton and 100% Linen:*

- If necessary, gently iron on a Cotton (High) setting to remove stubborn wrinkles.

#### *General Cleaning Guidance:*

- Dry Cleaning is the best method to clean soiled soft window treatments.
  - However, on 100% Polyester, Cotton/Poly blends and 100% Cotton or 100% Linen you may: Spot clean with warm soapy water using mild detergent and a clean sponge. Air-dry and then steam or iron as guided above.
- 

## LIMITED LIFETIME WARRANTY

The enclosed product is warranted to the original residential retail purchaser as long as the product remains in the original window.

### **Covered:**

**Lifetime:** Entire product against manufacturing defects (i.e. a flaw in the product design, materials, or workmanship that causes the product to no longer function)  
**5 years:** All fabric

### **Not Covered:**

Normal Wear and Tear

Any product that fails due to: • abuse • exposure to salt air • improper installation • accident • extraordinary use • improper operation • alterations • improper cleaning • misapplication • damage from pests/insects/pets • improper handling • misuse

Costs associated with: • product removal • transportation to and from the retailer • brand label removal • product re-measure • incidental or consequential damages • product reinstallation • shipping

In the event there are multiple blinds/shades in the same room, only the defective blind/shade will be replaced.

**To Report Shipping Damage:** If damage occurred during shipping, call place of purchase and report within 7 calendar days or else you may be denied credit for your damaged product.

**To Obtain Service:** If you suspect this product has a manufacturing defect in materials or workmanship: 1. Locate the sales receipt 2. Call place of purchase.

Any unauthorized returns will not be accepted.

**Warranty Remedy:** THIS SHALL BE YOUR SOLE REMEDY UNDER THIS LIMITED WARRANTY.

If this product is found to have a manufacturing defect in materials or workmanship, we will (at our discretion) do one of the following:

- repair the product • replace the product • refund the cost of the product
- Colors vary from lot to lot and may not exactly match sample swatch or previous purchases.

Discontinued items or color selections will be replaced with the closest equivalent current product.

### **YOUR RIGHTS UNDER STATE LAW:**

This lifetime limited warranty gives you specific legal rights, and you may have other rights, which vary from state to state. Some states do not allow limitations on how long a warranty lasts, so the above limitations may not apply to you. No agent, representative, dealer, or unauthorized employee has the authority to increase or alter the obligation of this warranty. This lifetime limited warranty supersedes any previous versions.