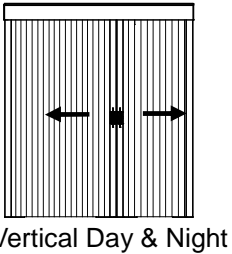
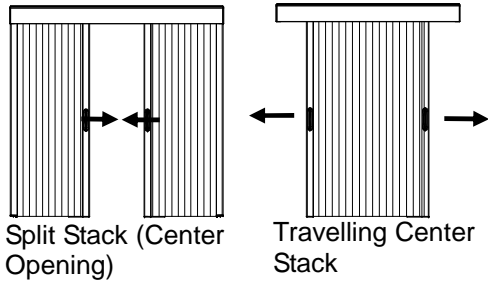
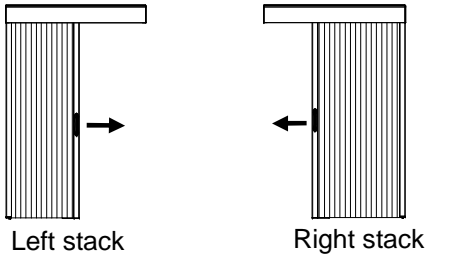


# Installation Instructions

## Honeycomb Shades

### Patio Door Vertical & Vertical Day&Night



### Getting Started

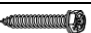


Remove the shade from the package. Save the packaging until the shade is installed and working to your satisfaction.

#### Tools Needed :

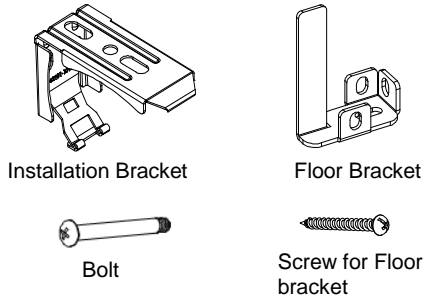
- Power drill and drill bit
- Measuring tape
- Screwdriver
- Level
- Pencil



You will need to use the following fasteners for your particular mounting surface.

Surface	Fastener
Wood	1 1/4" Screws (Provide) 
Drywall/Plaster	Wall Anchors, Expansion Bolts (Not Provide) 
Metal	Sheet Metal Screws (Not Provide) 

### Check Component/Hardware:



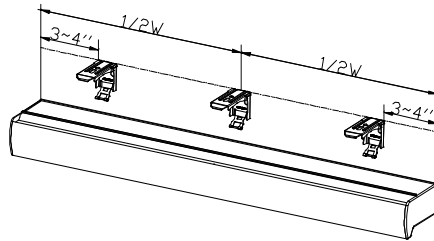
### Hardware Standard Quantity

Order Width (X)	X ≤ 39"	39" < X ≤ 66"	66" < X ≤ 93"	93" < X ≤ 120"	X > 120"
Installation Bracket	2	3	4	5	6
Floor Bracket	Right stack Left stack Travelling Center Stack	1 1 0	1 1 0	1 1 0	1 1 0
1 1/4" Screw for Bracket	installation bracket qty x 2 + floor bracket qty				

Note: Optional flat head screws included. Use as needed.

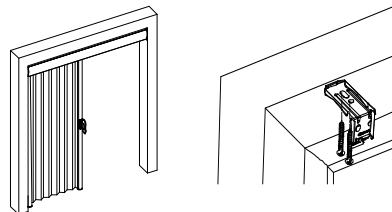
### Step 1: Bracket Installation

Measure 3"-4" from both ends of the head rail. Mark the bracket location on the mounting surface, proper alignment of brackets will make installation easier.



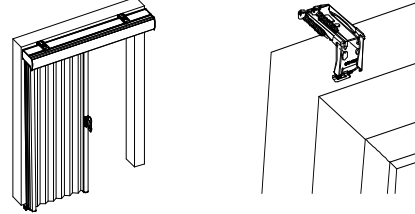
### Inside Mount:

Align the front of brackets flush against the wall. Use two 1 1/4" mounting screws to secure brackets. Use wall anchors for drywall or plaster wall.



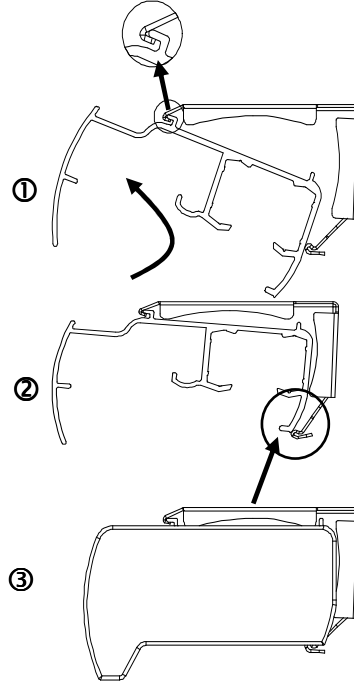
### Outside Mount:

Position the top of bracket at order height +1/8". Use two 1 1/4" mounting screws to secure brackets. Use wall anchors for drywall or plaster wall.



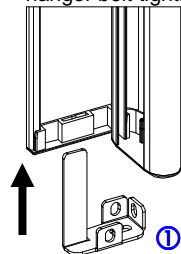
### Step 2: Shade Installation

a. Position head rail at an angle so that it is hooked to the front of the bracket. Then push it upward to snap into the bracket as shown below.

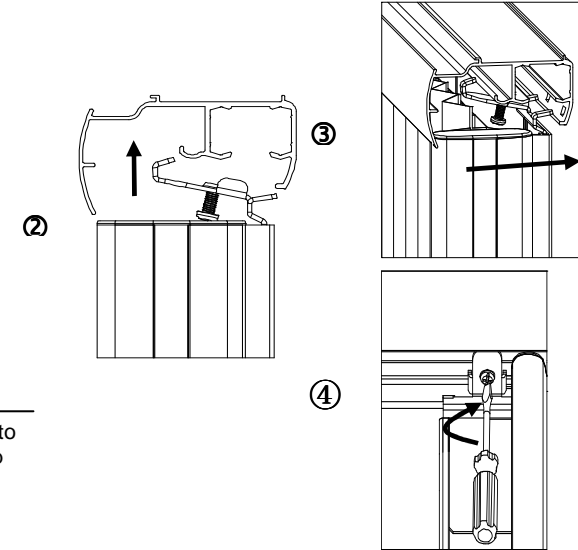


### b. Install unmovable vertical rail

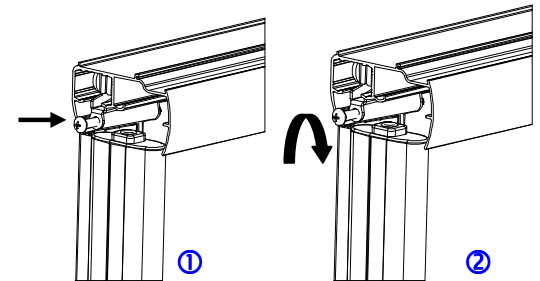
Push the **unmovable** vertical rail from down to up as below drawing ②. And then, push the fixing hanger into the gap of headrail as drawing ③. Locking the fixing hanger bolt tightly.



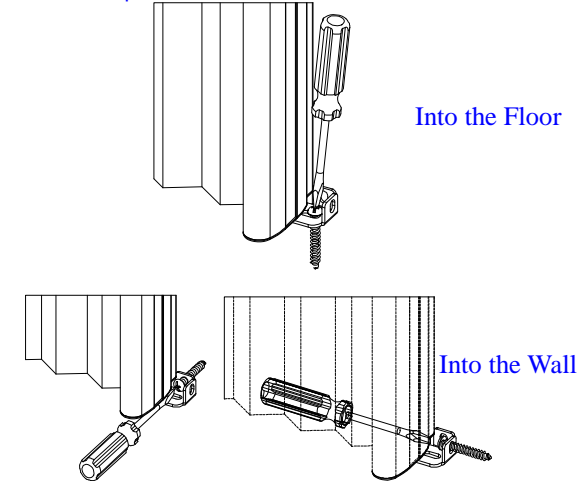
*Note: Before installing the unmovable vertical rail, attach the floor bracket to the end cap of unmovable vertical rail, shown in left drawing(④).*



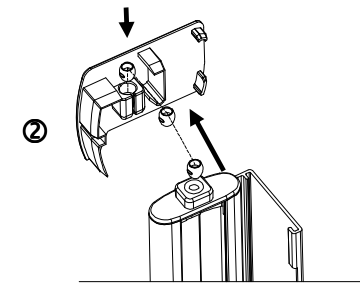
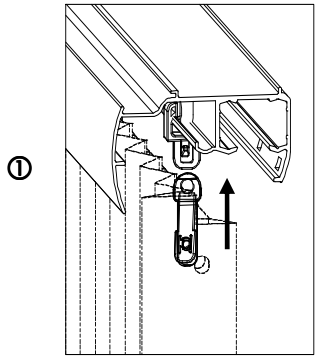
c. Install movable vertical rail. Align the hanger shaft hole with the sliding supporting shaft hole, and insert the bolt into the shaft hole completely(①). Screw the bolt tightly clockwise(②).



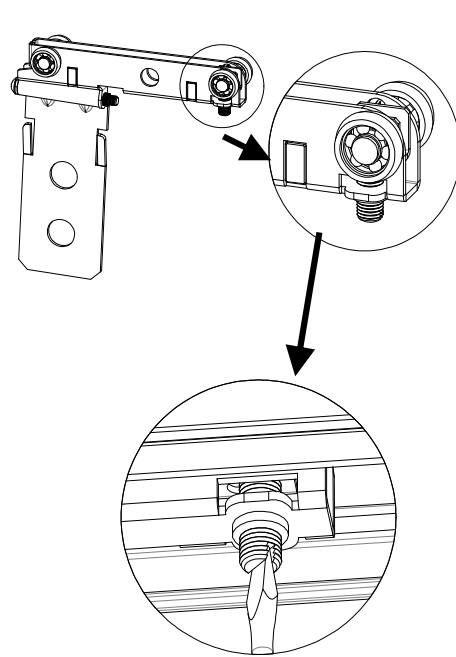
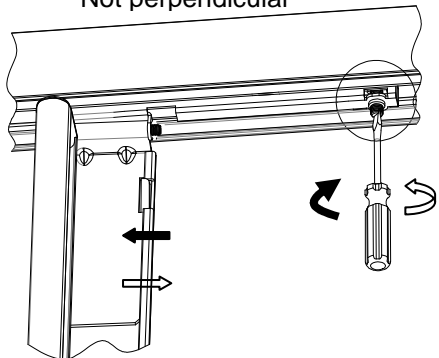
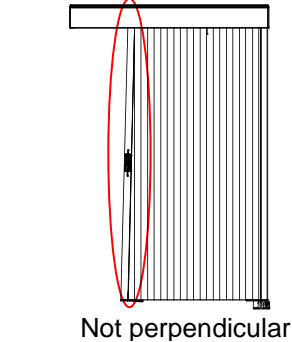
d. Attach the screw of Floor Bracket into the floor or wall shown below. Floor Bracket has been pre-attached to the end cap of unmovable vertical rail



e. Attach the clip on the shade into the headrail clamp as drawing ①. Put the buckle bead into groove of headrail end cap (make sure the bead buckle from groove top down) as drawing ②.

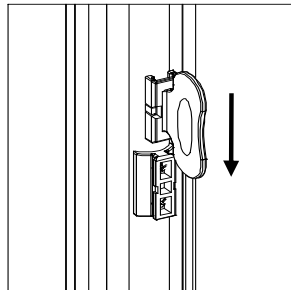


f. If the vertical rail is not perpendicular to the floor, adjustment is necessary.



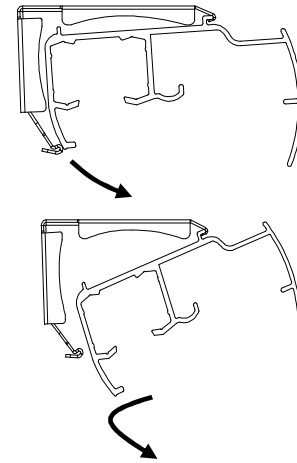
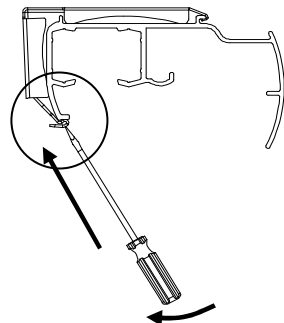
### Step 3: How to Install Shade Handle

Slide the handle onto the plastic piece pre-attached to the rails.



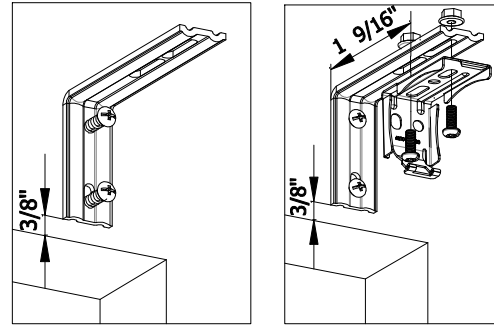
### Step 4: Remove the shade

Please use the reverse steps of installing vertical rail and shade to remove the vertical rail and shade. Gently pry the bracket off the head rail with a flat screwdriver as below drawing.

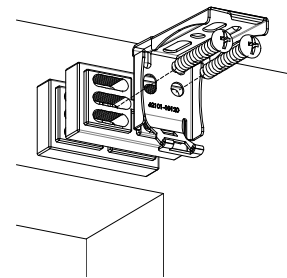


### Installation of Extension bracket & spacer block (for OB)

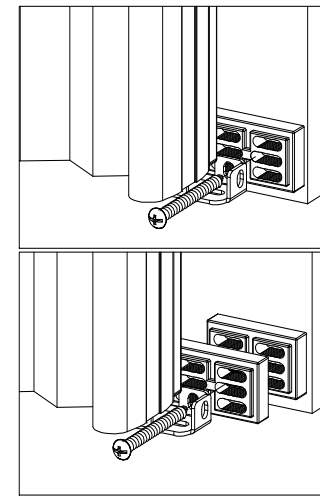
**Extension bracket:** Allocate a min. distance of 3/8" from wall to the bottom of brackets and use screw to secure the bracket. And, use screw to install the installation bracket on the Extension bracket at 1 9/16" (from the wall to the center of the screw bolt) as below pictures.



**Spacer block:** Install the spacer block (1pc or 2pcs) at the backside of the installation bracket as below pictures. Extend up to 10mm for 1pc spacer block. Extend up to 18mm for 2pcs spacer block.



**Spacer block:** Install the spacer block (1pc or 2pcs) at the backside of the Floor bracket as below pictures. Extend up to 10mm for 1pc spacer block. Extend up to 18mm for 2pcs spacer block.



**⚠ Extension bracket & Spacer block will be provided only when customer request.**

### Troubleshooting

Problem	Solution
When the cord is loose, adjustment is necessary. a. Remove the buckle bead from the headrail end cap. b. Remove the cord knot from the buckle, readjust the cord length and tie a knot. Put back the buckle bead into the headrail end cap. Do not over tight.	