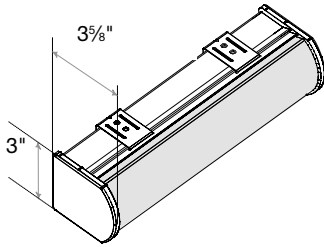


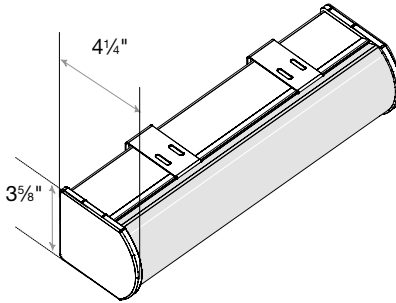
## Z-Wave & Wand Motorization Size Considerations

### Motorized & Wand Lift Shade: Mounting Depth Illustrations

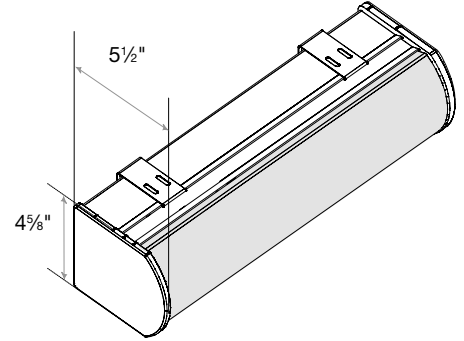
The following diagrams illustrate the mounting depth requirements for shades mounted inside window casements.



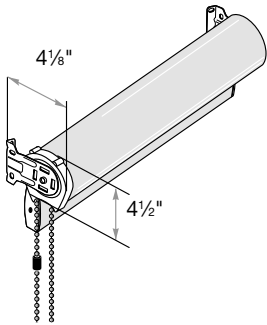
Small Cassette Valance  
1 5/8" Minimum Inside Mount



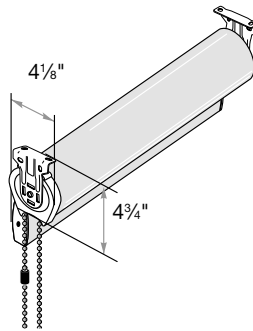
Medium Cassette Valance  
1 3/4" Minimum Inside Mount



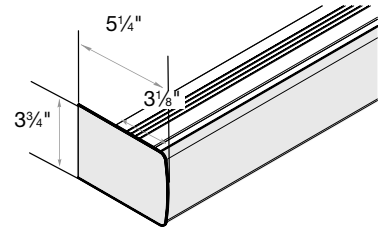
Large/Dual Cassette Valance  
1 3/4" Minimum Inside Mount



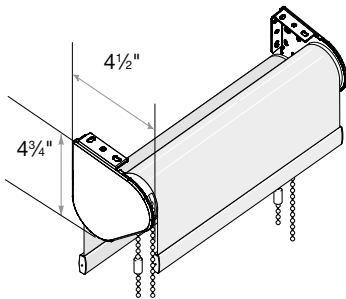
No Valance\*  
3/4" Minimum Inside/Side Mount



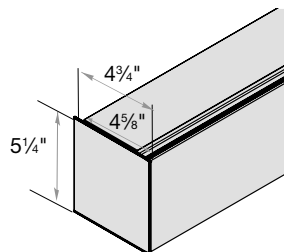
No Valance\*  
4 1/8" Minimum Inside/Top Mount



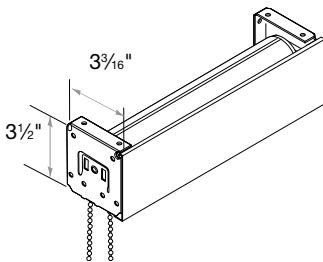
Contour Valance  
2 7/16" Minimum Inside Mount  
(return can be trimmed)



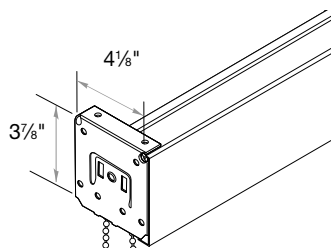
Dual Shade—No Cassette Valance  
2" Minimum Inside/Top Mount  
3/4" Minimum Inside/Side Mount



Flat Valance  
2 15/16" Minimum Inside Mount  
(return can be trimmed)



3" Fascia  
2 3/4" Minimum Inside/Top Mount  
3/4" Minimum Inside/Side Mount



4" Fascia  
3 3/4" Minimum Inside/Top Mount  
1 1/2" Minimum Inside/Side Mount